

BV33, BV34, BV35 SERIES

3-Way Ball Valves

GENTEC® Valves

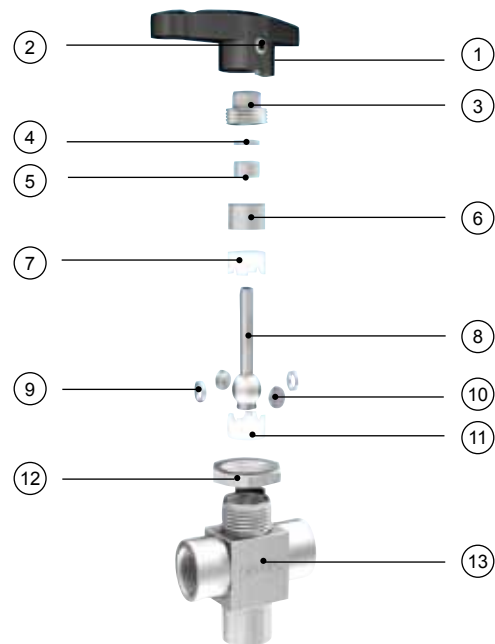


Product Features

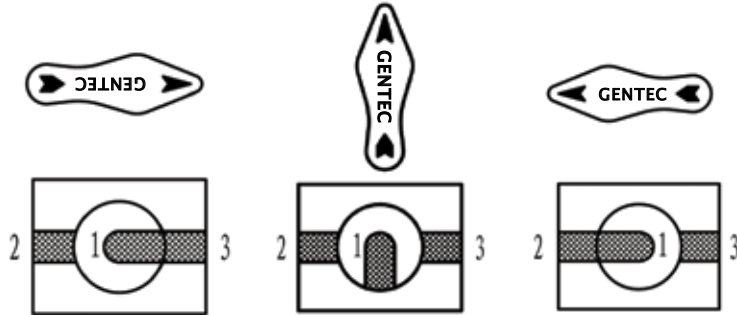
- 3-Way valve
- Maximum operating pressure: 2500 psi (172 bar)
(For pressure limitations under high temperature conditions, refer to pressure-temperature table)
- Operating temperature: 50°F ~ 150°F (10°C ~ 65°C)
- Handle indicates the flow direction
- End connections: GENLOK and NPT
(Gas enters from the bottom port, and exits to either the left or right port)
- Switchable flow paths
- Panel mounting available
- Top-loaded design allows in-line valve adjustment
- Bidirectional flow allows easy cleaning and purging
- Cleaned and degreased for oxygen service according to CGA G-4.1 and ASTM G93 Class C, respectively
- Every valve is factory tested for leakage at 1000 psi
Adjust packing nut when the working pressure is higher than 1000 psi to prevent leakage.

Components	Material
1 Handle	Nylon
2 Set Screw	Stainless Steel
3 Packing Bolt	316 SS
4 Upper Gland	316 SS
5 Bushing	PTFE
6 Lower Gland	316 SS
7 Upper Packing	PTFE
8 Ball Stem	316 SS
9 Side Rings	316 SS
10 Side Discs	316 SS
11 Lower Gland	PTFE
12 Pannel Nut	316 SS
13 Body	316 SS

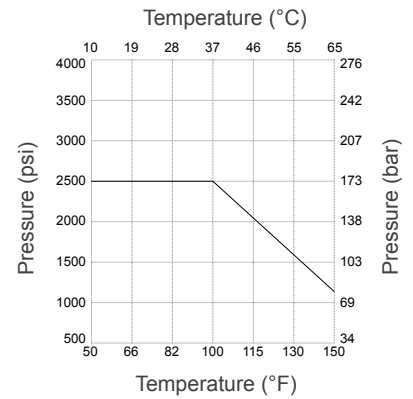
Materials of Construction



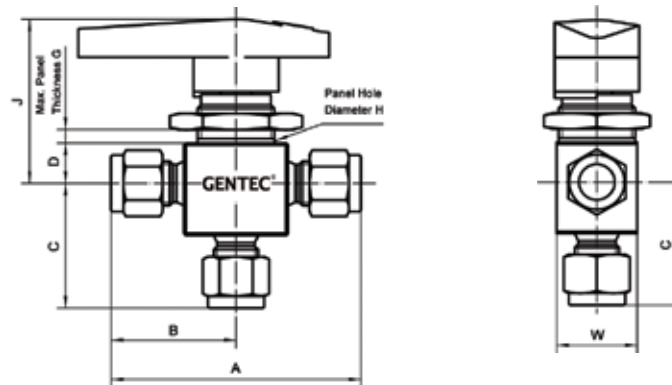
Flow Path Designator



Pressure-Temperature



Dimensions



English Units

Model	Orifice (in.)	CV	Connection Type Inlet/Outlet	Dimension (in.)								
				A	B	C	D	F	G	H	J	w
SS-BV33-TF2	0.093	0.15	1/8" GENLOK	2.01	1.01	0.97	0.34	0.13	1/4	19/32	1.36	0.58
SS-BV35-TF4	0.187	0.90	1/4" GENLOK	2.39	1.20	1.17	0.44	1.53	3/16	25/32	1.56	0.78
SS-BV34-FNT2	0.125	0.30	1/8" Female NPT	1.63	0.81	0.81	0.34	0.13	1/4	19/32	1.36	0.58
SS-BV35-FNT4	0.187	0.75	1/4" Female NPT	2.06	1.03	1.03	0.44	1.53	3/16	25/32	1.56	0.78

Ordering Information

EX: SS -	BV34 -	FNT4
Body Material	Series	Inlet / Outlet Connection
SS: 316 SS	BV33 BV34 BV35	TF2: 1/8" GENLOK TF4: 1/4" GENLOK FNT2: 1/8" Female NPT FNT4: 1/4" Female NPT