

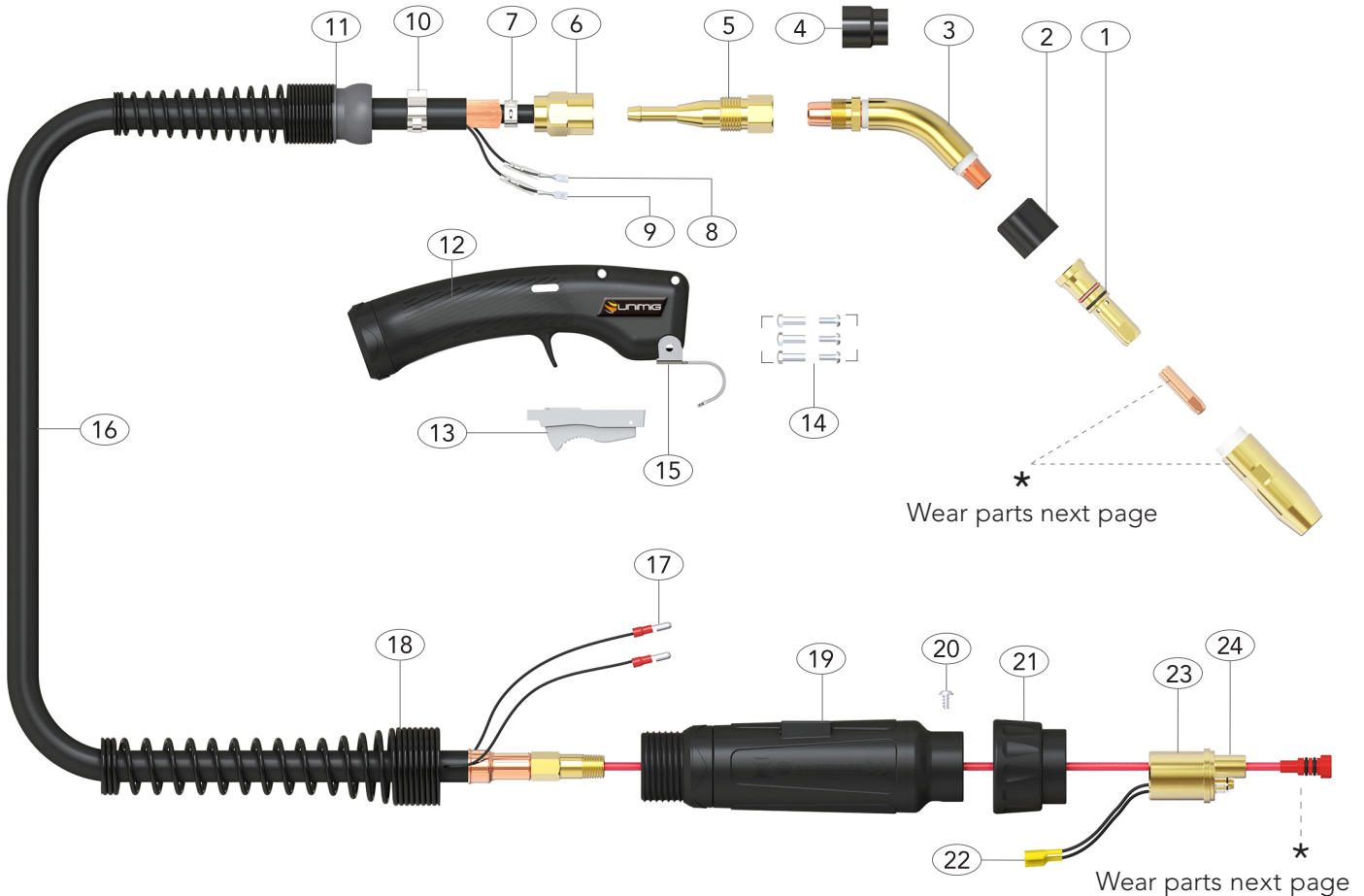
Suregrip Series

BND 300 MIG TORCH



BND 300 Air Cooled Mig Welding Torch

Rating: 300A CO2 200A mixed gas, EN60974-7 @ 60% duty cycle. 0.8 to 1.2mm wires



Wear parts next page

Wear parts next page

| Torch Model | Description | | | |
|-------------------------------------|---------------|------|---------------|--------------|
| | Part Number | 3 Mt | 4 Mt | 5 Mt |
| BND 300 Mig Torch C/W Euro fitting | ARBND301-12E | | ARBND301-15E | ARBND300-17E |
| BND 300 Mig Torch C/W Quick Connect | ARBND300-12QD | | ARBND300-15QD | N/A |

| Spare Parts | | | | | |
|-------------|-------------|-----------------------------------|-------------|-------------|-----------------------------|
| Part Number | Description | Part Number | Description | Part Number | Description |
| 1 | WGA4335 | Head Assembly | 15 | UR4238 | Hanger Hook |
| 2 | WGA4323 | Rubber Cap | 16 | U4261TE | Hyperflex Cable Assy X 10ft |
| 3 | WGA4786 | Swan Neck Assembly | | U4262TE | Hyperflex Cable Assy X 12ft |
| 4 | U4780 | Neck Insulator | | U4265TE | Hyperflex Cable Assy X 15ft |
| 5 | U4213B | End Fitting | 17 | UB1522 | Cable Terminal Male |
| 6 | UR4305 | Cone Nut | 18 | UPA2041 | Cable Support |
| 7 | UB5046 | Hose Clamp 12mm | 19 | UB1518 | Gun Plug Housing C/W Nut |
| 8 | UB1521-C | Cable Terminal Cover | 20 | UB1526 | Gun Plug Screw |
| 9 | UB1521 | Cable Terminal | 21 | UB1519/S | Euro Housing Nut Assembly |
| 10 | UB5044 | Hose Clamp 18.5mm | 22 | UB1523 | Gun Plug Terminal Female |
| 11 | UBE8016 | Spring Cable Support & Ball Joint | 23 | U5060 | Gun Plug Body |
| 12 | UN1780006 | Handle Kit C/W Screws & Nut | 24 | UB1524 | Gun Plug 'O' ring |
| 13 | U5662 | Trigger Switch | | | |
| 14 | U1880004 | Screw Kit | | | |

These parts are manufactured in China and are offered as replacement parts suitable for "BERNARD" style torches.

Suregrip Series BND 300 MIG TORCH



Front end consumables



BND300 Contact Tips H/D

| Part Number | Description | QTY |
|-------------|-------------------------------------|-------|
| PWGA7488 | 0.8mm contact tip | QTY10 |
| PWGA7489 | 0.9mm contact tip | QTY10 |
| PWGA7496 | 1.0mm contact tip | QTY10 |
| PWGA7490 | 1.2mm contact tip | QTY10 |
| PWGA7498 | 1.4mm contact tip (1.2mm Aluminium) | QTY10 |



BND300 Contact Tips Holder

| Part Number | Description | QTY |
|-------------|-----------------------------|-------|
| PWGA1589 | Contact Long Tip 0.9mm | QTY10 |
| PWGA1596 | Contact Long Tip 1.0mm | QTY10 |
| PWGA1590 | Contact Long Tip 1.2mm | QTY10 |
| PWGA1598 | Contact Long Tip 1.2mm Alum | QTY10 |



BND300 Head Assembly

| Part Number | Description | QTY |
|-------------|------------------------|------|
| PWGA4335 | Head assembly | QTY2 |
| PWGA4235 | Head assembly long tip | QTY2 |



BND300 Gas Nozzle

| Part Number | Description | QTY |
|-------------|------------------------|------|
| WGA4391 | Gas Nozzle Cylindrical | QTY2 |
| PWGA4392 | Gas Nozzle Conical | QTY2 |
| PWGA4393 | Gas Nozzle | QTY2 |

Liners



BND300 Liners

| Part Number | Description |
|-------------|----------------------------------|
| WGA 43115 | 15ft liner (0.9-1.2mm) |
| WGA 43215 | 15ft liner (1.6mm) |
| WGA 43115X | 15ft aluminium liner (1.2mm) |
| WGA 44215X | 15ft aluminium liner (1.2-1.6mm) |

These parts are manufactured in China and are offered as replacement parts suitable for "BERNARD" style torches.