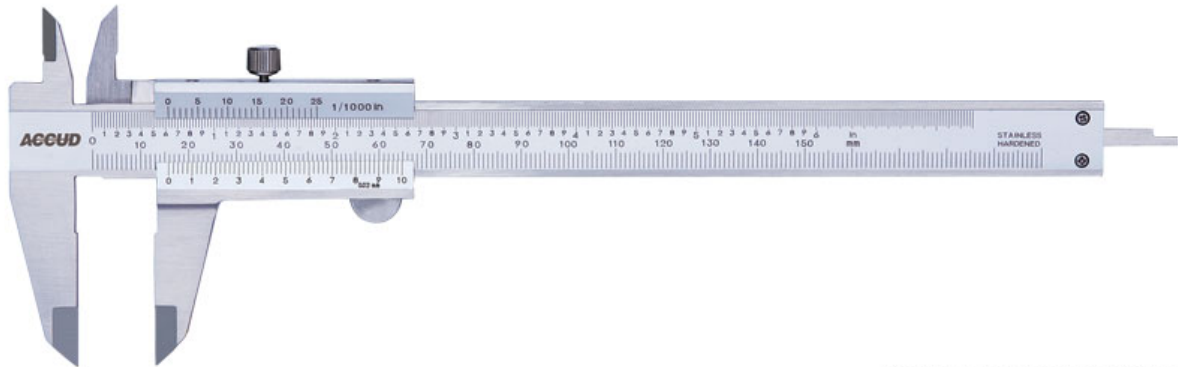


300mm Dual Scale Vernier Caliper

ACCUD

Part Number: AC-120-012-12



© Copyright M Gamer Pty. Ltd. 2012-2015

SPECIFICATIONS

Range: 0-300 mm/0-12"
Graduation: 0.02 mm/0.001"
Accuracy: ± 0.03 mm
Internal Jaw Reach: 22 mm
Beam Width: 20 mm
External Jaw Reach: 64 mm
Length: 414 mm

FEATURES

- Meet DIN862
- Stain chrome plated reading surface
- Made of stainless steel

SHIPPING WEIGHT: 0.87